

Security Screen Doors Installation Guide

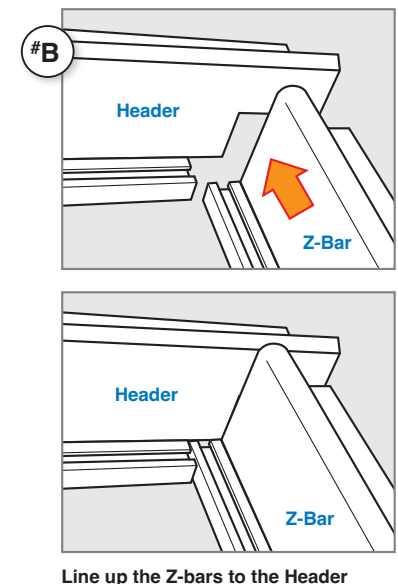
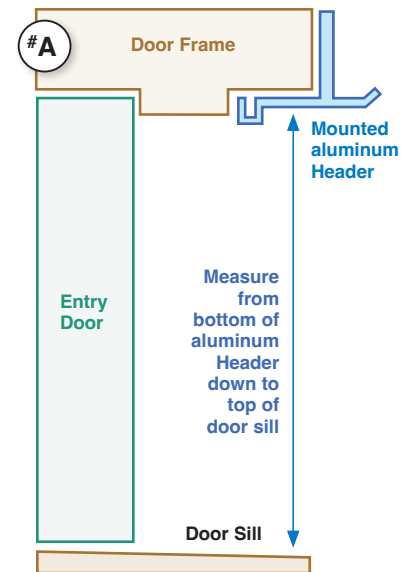
Door Installation:

- Step 1.** Install aluminum Header into top door jamb. Center the Header in jamb then affix using the 3 pre-drilled screw holes (size 7 holes, size 6 screws). Screw into the center hole first.
- Step 2.** Measure the distance from the bottom surface of mounted Header down to the sill (threshold) (see diagram #A). (e.g. a common distance is 81")
- Step 3.** The Hinged Z-bar (with door attached) is approx. 2-1/2" longer than needed. Mark and cut the bottom of the Hinged Z-bar to exactly match the measurement from the Header to the sill. Do the same to the 'Plain' Z-bar.
- Step 4.** Attach the door to door frame jamb by lining up the Hinged Z-bar to the mounted Header (see diagram #B). Mount the Z-bar by screwing 3 of the 6 screws into the pre-drilled holes. First install the top screw, then center and bottom screws. Only screw in half-way for now.
- Step 5.** Next, install the Plain Z-bar to the opposite side of the door frame jamb also by lining up to the Header (diagram #B). Again screw in only 3 of the 6 screws in the pre-drilled holes. First on top, then center and bottom. Only screw in half-way for now.
- Note: Double-check that there is an even gap on the three sides of the door opening.
- Tighten the 3 screws on the Plain Z-bar first, then on the Hinged Z-bar. Next, add the remaining screws to the Plain Z-bar and Hinged Z-bar and tighten all.

- Step 6.** Adjust the Expander at the bottom of the door using the slotted screw holes. Allow the rubber sweep to just touch the door sill. Then tighten all screws.

Hardware Installation:

- Step 1.** Follow the [Hardware Installation Instructions](#) provided. Check to be sure the inside latch does not interfere with prime door hardware.
- Step 2.** Use the [Deadlock and Latch Handle Drill Template](#) to fold around the door in the correct position for mounting the hardware. Use the template to mark the holes for drilling.
- Step 3.** Mount the hardware per instructions.



Bahama Screens and Doors[®]

A CGS Sales Company

Bahama Screens[®]
3672 Silliman St.
New Waterford, Ohio 44445

Contact information

Phone: (305) 962-6581
Email: sales@bahamascreensanddoors.com
Web: bahamascreensanddoors.com

