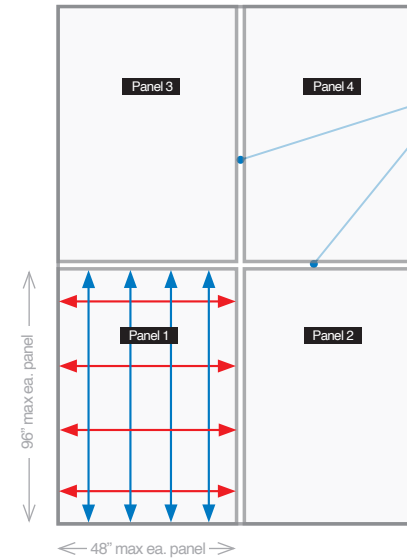
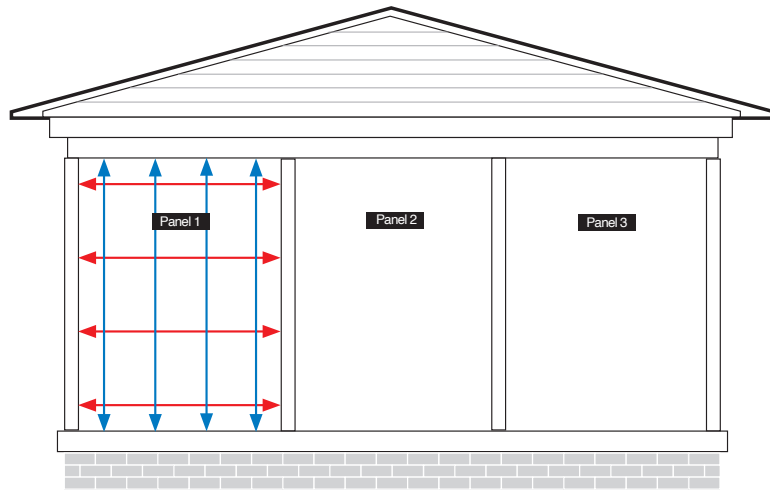


Screen Enclosure Measuring Sheet & Installation Guide



Screen Enclosure Panels Measuring Sheet



H-Bars are used to join panels with openings wider than 48" or to stack panels with openings higher than 96"



Option 1 Measurements:

For screen measurements that are no larger than 48"x96" *per opening*.

Measure Width

Measure each panel opening width in 4 places (horizontally) and use smallest measurement obtained, then deduct 1-3/8" from measurement for total required panel width.

Measure Height

Measure each panel opening height in 4 places (vertically) and use smallest measurement obtained, then deduct 1-7/8" from measurement for total required panel height.

Measure for EACH panel opening (for example):

Width _____ -1-3/8 in. = _____ total in. **Height** _____ -1-7/8 in. = _____ total in.

Please submit measurements for each panel along with project photos marked individually.
Send total area measurements per opening and we will be happy to calculate the area, requirements and layout for you.

Option 2 Measurements:

For screen measurements larger than 48" x 96" *per opening* requiring stacked panels with an H-Bar to meet total area requirements.

Measure Width

Measure each opening width in 4 places (horizontally) and use smallest measurement obtained, then deduct 1-5/8" from measurement for total required width for the first panel. Then for each additional panel required, deduct 1" from the smallest measurement.

Measure Height

Measure each opening height in 4 places (vertically) and use smallest measurement obtained, then deduct 1-7/8" from measurement for total required height for the first panel. Then for each additional panel required, deduct 1" from the smallest measurement.

Measure for EACH panel opening (for example):

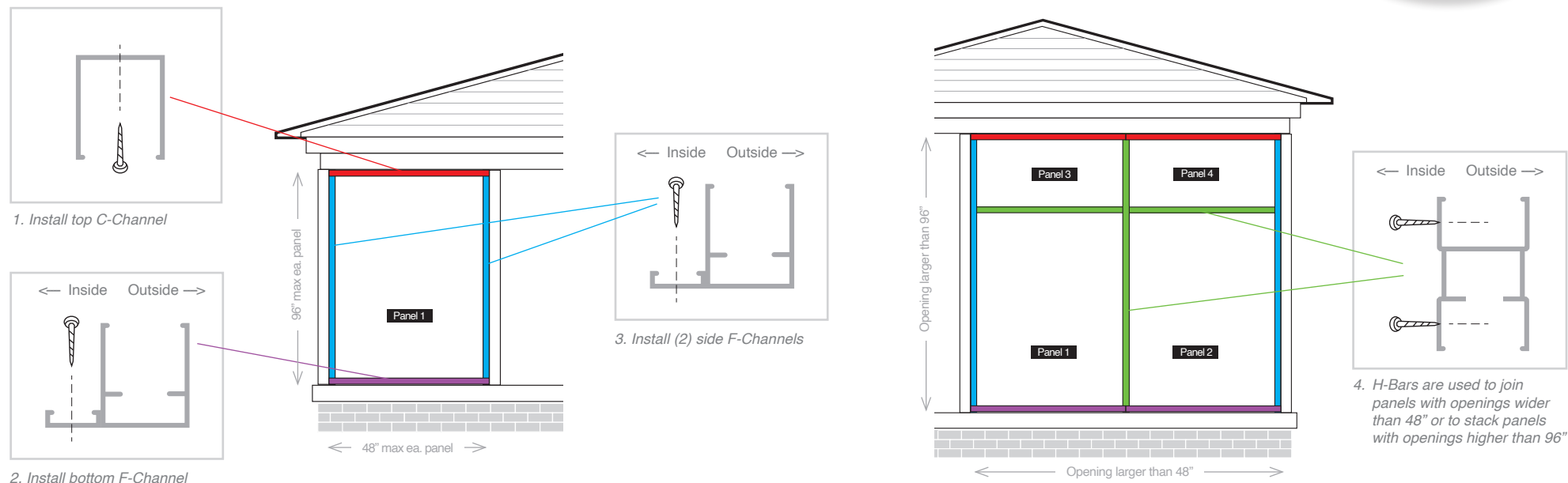
First panel:

Width _____ -1-5/8 in. = _____ total in. **Height** _____ -1-7/8 in. = _____ total in.

Add'l panels:

Width _____ -1 in. = _____ total in. **Height** _____ -1 in. = _____ total in.

Screen Enclosure Panels Installation Guide



Installation Steps:

See Bahama Screens “**Screen Enclosure Panel Measuring Sheet**” for information on how to measure each screen opening and order the extrusion lengths.

1. Install the top header **C-Channel** across the full width opening of the building’s framing (*see fig. 1*).

Use Tapcon® #8 x 3/4” screws (provided) to secure the C-Channel to the existing structure. Inside the C-Channel drill in Tapcon screws 2” from each end and then 16” on center.

2. Install the bottom **F-Channel** across the full width opening of the building’s framing (*see fig. 2*). (Note: there are (3) F-Channels supplied: (1) for the bottom opening and (2) for the sides of the opening).

Use Tapcon® #8 x 3/4” screws (provided) to secure the F-Channel to the existing structure. On the nailing fin of the F-Channel drill in Tapcon screws 2” from each end and then 16” on center.

3. Similar to Step 2 - install the remaining two F-Channels on the sides of the screen frame (*see fig. 3*).

4. Slide the screen frame up into the top C-Channel. Then drop the bottom of the screen frame into the bottom F-Channel. Slide the screen frame left-and-right to properly seat inside the 2 side channels.

5. If needed, **H-Bars** are used to stack or connect panels for additional width or height requirements. Openings wider than 48” or higher than 96” will require H-Bars (*see fig 4 above showing a typical 4 panel installation using H-Bars*).

6. Slide H-Bar onto Panel 1, then slide Panel 2 into the H-Bar, etc. Again, secure with Tapcon screws.

Note: Bahama Screens supplies all three channels with the enclosures, in either white or bronze. Channels are shipped to the installer in 14’ lengths (or best length for the project) and are to be cut in the field to required sizes.

Screen Enclosure Channel System



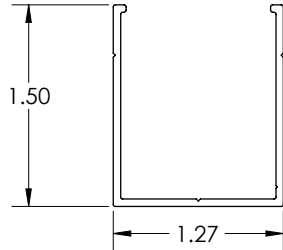
Channels:

Width: Use the **C-Channel** for the top header and the **F-Channel** for the bottom track.

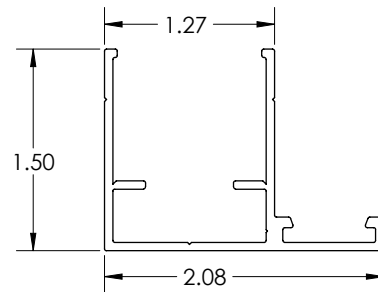
Height: Use **F-Channels** for the two side tracks.

Use **H-Bars** to connect and/or stack screen panels together for openings larger than 48" x 96".

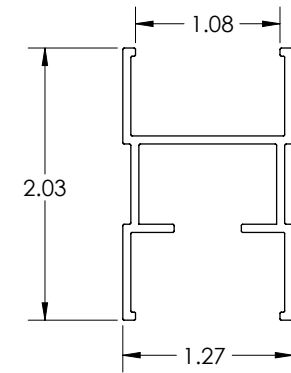
**Install C-Channel
Top Header of
Install Track**



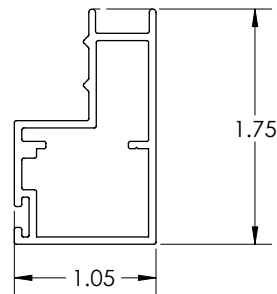
**Install F-Channel
Bottom & Side Panels of
Install Track**



**H-Bar
Connects and/or
Stacks Panels**



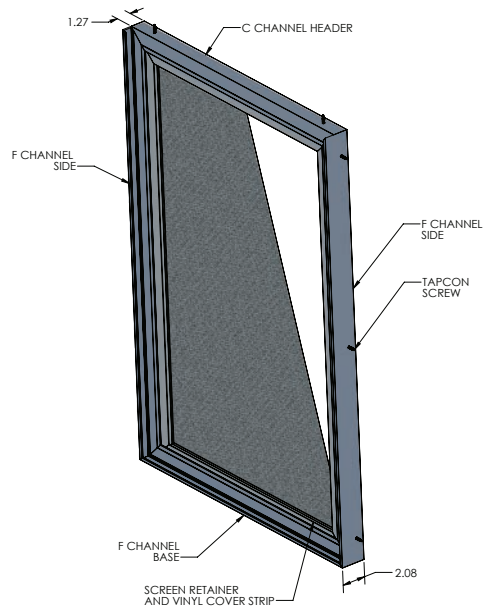
Screen Frame



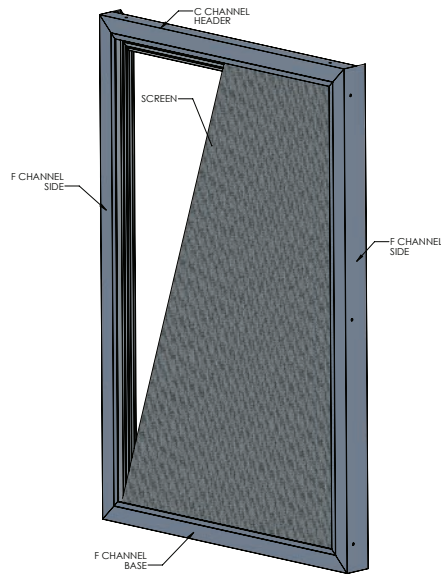
All dimensions shown in inches.

Screen Enclosure Profiles

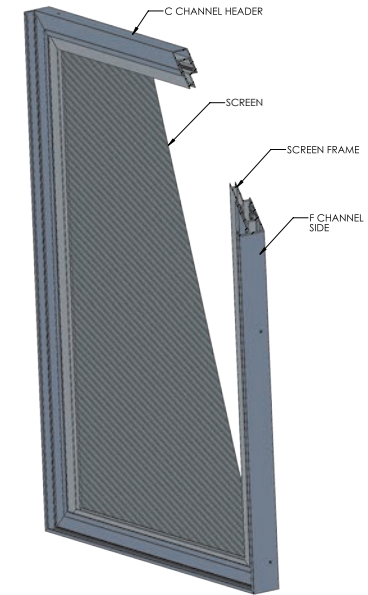
Assembly - Interior View



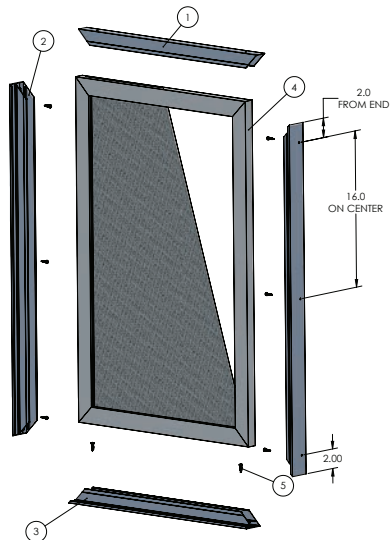
Assembly - Exterior View



Cut Away View

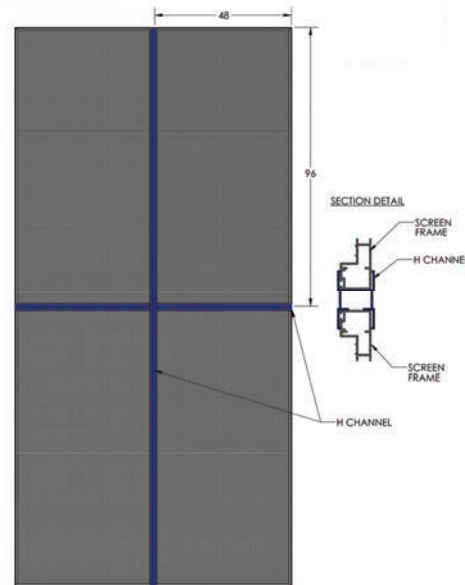


For Panel Sizes Up To 48" x 96"



ITEM NO.	DESCRIPTION	QTY.
1	C CHANNEL	1
2	F CHANNEL	2
3	F CHANNEL	1
4	SCREEN FRAME	1
5	#8 TAPCON SCREW	

For Panel Sizes Greater Than 48" x 96"



Bahama Screens®
 3672 Silliman St.
 New Waterford, Ohio 44445

Contact information

Email: sales@bahamascreensanddoors.com
 Web: bahamascreensanddoors.com
 Phone: (305) 962-6581